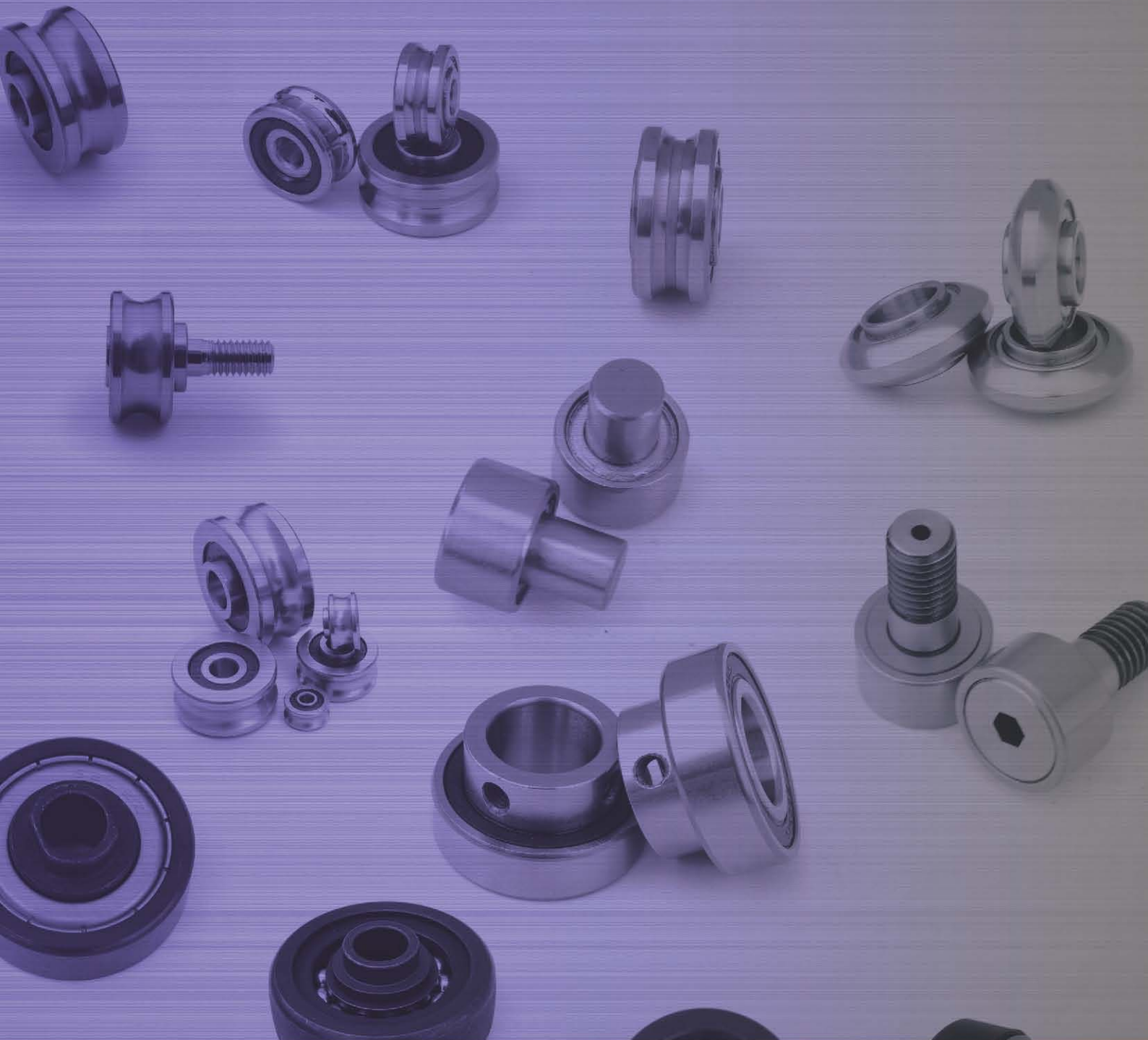




百川轴承

NEO BEARING

NINGBO NEO BEARING CO.,LTD



www.neobearing.com

LFR BEARING

Track rollers with Gothic arch groove - type LFR

1 Series LFR rollers are the most widely-use and economy product among the linear motion track rollers, and they can suit to the cylindrical track.

2 There are two contact points between the roller and track, so the contact function is favorable.

3 Rollers feature double row angular contact ball bearing in its internal structure design and a thick-walled outer ring, so rollers can accommodate higher loads.

4 Rollers are made of high-quality bearing steel, processed by heat treatment and precision grind, and are filled with a long service life, high-grade and multi-purposes grease. Rollers mount the metal shield (KDD) or rubble seal (NPP) to prevent the dust. BOOS BEARING also can provide the rollers with concentric or eccentric pivot. Some types of the rollers can be made from the corrosion resistance stainless steel.

Characteristics of the guide system that series LFR rollers are applied :

1. High allowable speed, low resistance, long service life

For series LFR rollers, the surface profile of the outer ring is designed as the GOTHIC ARCH.

When rollers running, there are two contact points with an angle 60 degrees between the roller and track. So the friction resistance is low and the load is in equality, thus avoiding the stresses concentration and edge effect caused by the error from installation and manufacture, making the track system has the characteristics of high speed, low energy consumption, long service life and minimum noise level.

2. Easy installation

As rollers assembled the concentric or eccentric pivot, installation can be made convenient. To adjust the eccentric one's eccentricity, these rollers can get the fitting preload.

3. Smooth running, minimum error and lower noise level

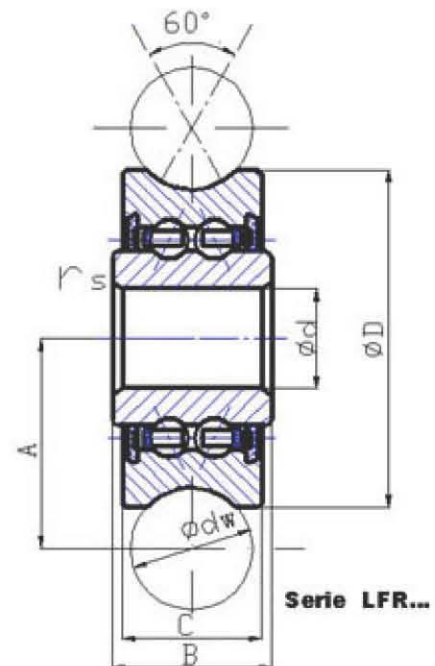
BOOS BEARING special manufacture equipments of machine and inspection facilities make accuracy in the profile of roller. Mature manufacture techniques and critical inspection procedure make all rollers good in the Kea (radial runout) of outer ring and roundness of working surface, so the guide system in motion is smooth running, minimum error and lower running noise level.



LFR TYPE BEARING



LRF50-5 KDD



Track Roller No.			Weight (g)	Dimensions (mm)							Load Ratings		
BOOS BEARING	GERMAN	ITALIAN		dw	d	D	C	B	A	rs	Cw(KN)	Cow(KN)	Fr perm(KN)
LFR 50/4 NPP	-	-	3.5	5	4	13	6	7	8.04	0.2	1.05	0.85	1.15
LFR 50/5-4 KDD	LFR50/5KDD-4	R 50/5-4 ZZ	7.5	4	5	16	7	8	9	0.2	1.2	0.86	1.3
LFR 50/5-4 NPP	LFR50/5NPP-4	R 50/5-4 2RS	7.5	4	5	16	7	8	9	0.2	1.2	0.86	1.3
LFR 50/5 KDD	LFR50/5KDD	R 50/5-6 ZZ	8	6	5	17	7	8	10.5	0.2	1.27	0.82	1.3
LFR 50/5 NPP	LFR50/5NPP	R 50/5-6 2RS	8	6	5	17	7	8	10.5	0.2	1.27	0.82	1.3
LFR 50/8 KDD	LFR50/8KDD	R 50/8-6 ZZ	24	6	8	24	11	11	14	0.3	3.67	2.28	1.3
LFR 50/8 NPP	LFR50/8NPP	R 50/8-6 2RS	24	6	8	24	11	11	14	0.3	3.67	2.28	1.3
LFR 50/8-8 KDD			24	8	8	24	11	11	14.75	0.3	3.67	2.28	1.3
LFR 50/8-8 NPP			24	8	8	24	11	11	14.75	0.3	3.67	2.28	1.3
LFR 30/8 KDD			31	10	8	26.8	11	13	16.7	0.3	3.67	2.28	1.3
LFR 30/8 NPP			31	10	8	26.8	11	13	16.7	0.3	3.67	2.28	1.3
LFR 5201 KDD	LFR5201KDD	R 5201-10 ZZ	68	10	12	35	15.9	15.9	20.65	0.3	8.5	5.1	5.1
LFR 5201 NPP	LFR5201NPP	R 5201-10 2RS	68	10	12	35	15.9	15.9	20.65	0.3	8.5	5.1	5.1
LFR 5301 KDD	LFR5301KDD	R 5301-10 ZZ	130	10	12	42	19	19	24	0.6	13	7.7	7.5
LFR 5301 NPP	LFR5301NPP	R 5301-10 2RS	130	10	12	42	19	19	24	0.6	13	7.7	7.5
LFR 5301-20 KDD			125	20	12	42	19	19	28	0.6	13	7.7	7.5
LFR 5301-20 NPP			125	20	12	42	19	19	28	0.6	13	7.7	7.5
LFR 5302 KDD	LFR5302KDD	R 5302-10 ZZ	163	10	15	47	19	19	26.65	1	16.2	9.2	6.2
LFR 5302 NPP	LFR5302NPP	R 5302-10 2RS	163	10	15	47	19	19	26.65	1	16.2	9.2	6.2
LFR 5201-12 KDD	LFR5201-12KDD	R 5201-12 ZZ	68	12	12	35	15.9	15.9	21.75	0.3	8.4	5	5.1
LFR 5201-12 NPP	LFR5201-12NPP	R 5201-12 2RS	68	12	12	35	15.9	15.9	21.75	0.3	8.4	5	5.1
LFR 5201-14 KDD	LFR5201-14KDD	R 5201-14 ZZ	107	14	12	39.9	18	20	24	0.3	8.9	5	6.7
LFR 5201-14 NPP	LFR5201-14NPP	R 5201-14 2RS	107	14	12	39.9	18	20	24	0.3	8.9	5	6.7
LFR 5201-10.40 KDD			115	10	12	39.9	18	20	22	0.3	8.9	5	6.7
LFR 5201-10.40 NPP			115	10	12	39.9	18	20	22	0.3	8.9	5	6.7
LFR 5204-16 KDD*	LFR5204-16KDD	R 5204-16 ZZ	195	16	20	52	20.6	22.6	31.5	0.6	16.8	9.5	12.1
LFR 5204-16 NPP*	LFR5204-16NPP	R 5204-16 2RS	195	16	20	52	20.6	22.6	31.5	0.6	16.8	9.5	12.1
LFR 5206-20 KDD*	LFR5206-20KDD	R 5206-20 ZZ	435	20	25	72	23.8	25.8	41	0.6	29.5	16.6	20.7
LFR 5206-20 NPP*	LFR5206-20NPP	R 5206-20 2RS	435	20	25	72	23.8	25.8	41	0.6	29.5	16.6	20.7
LFR 5206-25 KDD*	LFR5206-25KDD	R 5206-25 ZZ	425	25	25	72	23.8	25.8	43.5	0.6	29.2	16.4	23.1
LFR 5206-25 NPP*	LFR5206-25NPP	R 5206-25 2RS	425	25	25	72	23.8	25.8	43.5	0.6	29.2	16.4	23.1
LFR 5207-30 KDD*	LFR5207-30KDD	R 5207-30 ZZ	660	30	30	80	27	29	51	1	38	20.8	21.4
LFR 5207-30 NPP*	LFR5207-30NPP	R 5207-30 2RS	660	30	30	80	27	29	51	1	38	20.8	21.4
LFR 5208-40 KDD*	LFR5208-40KDD	R 5208-40 ZZ	1360	40	40	98	36	38	62.5	1	54.8	29	55
LFR 5208-40 NPP*	LFR5208-40NPP	R 5208-40 2RS	1360	40	40	98	36	38	62.5	1	54.8	29	55
LFR 5308-50 KDD*	LFR5308-50KDD	R 5308-50 ZZ	1400	50	40	110	44	46	72.5	1.1	53	39.5	69
LFR 5308-50 NPP*	LFR5308-50NPP	R 5308-50 2RS	1400	50	40	110	44	46	72.5	1.1	53	39.5	69

VW BEARING

Track rollers with "W" profile - V W type

1 Guide Wheels Bearing are the main components of the Linear Motion system, they can be widely used in the industrial robot, cutting machine, motion track, production flow and so on.

2 The surface of outer ring is the "W" profile formed by the two "V" with an angle of 90 degrees. The internal or external side face can be matched separately with the concave or protrudable track that both have a "V" profile with the angle of 90 degrees, and also the internal side face can be matched well with the cylindrical track.

3 Wheels feature the internal design of double row angular contact ball bearing and a thick-walled outer ring, so the wheels can accommodate higher loads.

4 Wheels are made of the high-quality bearing steel, processed by heat treatment and precision grind, and are filled with a long service life, high-grade and multi-purposes grease. Wheels mantle the metal shield or rubber seal (suffix X) to prevent the dust. BOOS BEARING also can provide the wheels with the concentric or eccentric bushings, as well as the wheels made from the corrosion resistance stainless steel.

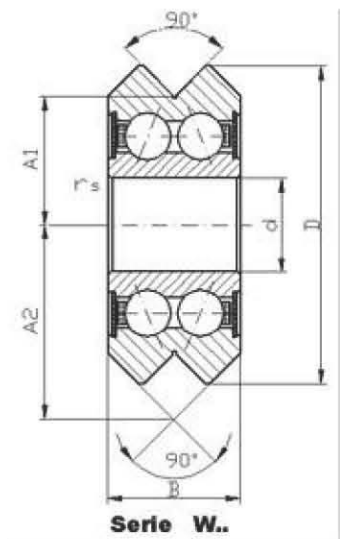
Characteristics of the guide system that series W wheels are applied :

1. Low resistance, long service life, widely-use

After precision ground, the roughness of working surface of the series W wheels is fine and the angle of 90 degrees is accurate. The wheels have well parallelism between the "W" profile groove and the mount planes of inner ring relatively. When the wheels running, the stresses between the wheel and track is in equality and the friction resistance is low.

2. Easy installation

After wheels assembled the concentric or eccentric bushing, installation can be made convenient. To adjust the eccentric one's eccentricity, the wheels can get the fitting preload



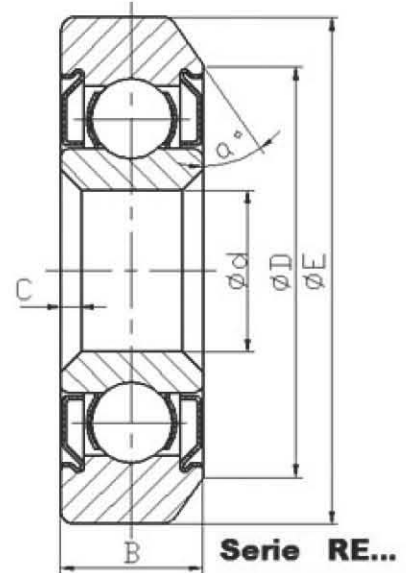
Guide Wheel No.	Weight	Dimensions (mm)						Load Ratings	
		d	D	B	A1	A2	rs	Cw (KN)	Cow(KN)
BOOS BEARING	(g)								
W0	5	4	14.84	6.35	5.94	9.12	0.3	1	0.5
W0X	5	4	14.84	6.35	5.94	9.12	0.3	1	0.5
W1	11	4.763	19.56	7.87	7.93	11.86	0.3	2.2	1
W1X	11	4.763	19.56	7.87	7.93	11.86	0.3	2.2	1
W2	38	9.525	30.73	11.1	12.7	18.24	0.3	4.9	2.5
W2X	38	9.525	30.73	11.1	12.7	18.24	0.3	4.9	2.5
W3	130	12	45.72	15.88	19.05	26.98	0.6	9.4	4.9
W3X	130	12	45.72	15.88	19.05	26.98	0.6	9.4	4.9
W4	280	15	59.94	19.05	25.4	34.93	1	14.8	8.2
W4X	280	15	59.94	19.05	25.4	34.93	1	14.8	8.2
W4XL	580	22	75.39	25.4	31.75	44.45	1.1	20.6	14.3
W4XXL	580	22	75.39	25.4	31.75	44.45	1.1	20.6	14.3
W1SSX*	11	4.763	19.56	7.87	7.93	11.86	0.3	2.2	1
W2SSX*	38	9.525	30.73	11.1	12.7	18.24	0.3	4.9	2.5
W3SSX*	130	12	45.72	15.88	19.05	26.98	0.6	9.4	4.9
W4SSX*	280	15	59.94	19.05	25.4	34.93	1	14.8	8.2

Journal Bearings, Track rollers with one beveling profile - type RE

- 1 Journal Bearings are used for the LINEAR GUIDANCE system, in which the track has a "V" profile groove with an angle of 70 degrees..
- 2 Journal Bearings feature the internal design of high precision deep groove ball bearings and a thick-walled outer ring, so bearings can accommodate higher load carrying capacity.
- 3 Bearings are made of the high-quality bearing steel, processed by heat treatment and precision grind, and are filled with a long service life, high-grade and multi-purposes grease. Bearings take the metal shield (ZZ) or rubber seal (2RS) to prevent the dust.

Characteristics of linear guidance system that Journal Bearings are applied :

1. High speed, minimum noise level
Journal Bearings take the internal design of deep groove ball bearings, and the roughness of its working surface is fine, so the bearing features low friction resistance and swift speed up in the short time when running.
2. Commonly uses, easy installation
The bearings can be enhanced their commonly uses with mounting various sizes concentric pivot and eccentric pivot having different eccentricity, and it is easy to make the installation and to adjust the preload.
3. Smooth and accurate running, long service life
BOOS BEARING special manufacture equipments of machine and inspection facilities make accuracy in the angle of bearings' profile, so the bearing and track can be matched well. Mature manufacture techniques and critical inspection procedure make all bearings in the Kea (radial runout) of outer ring within 0.01mm, so the guide system has the characteristics of long service life and smooth running.



Track roller No.	Number of the construction unit		Weight	Dimensions(mm)						Load ratings	
				B	D	E	d	C	α	Cw(KN)	Cow(KN)
BOOS-BEARING			\approx (g)								
RE701ZZ	BHJ-13-C	13 C/E	3	4	9.63	12.7	4	0.35	35	0.71	0.27
RE701.2RS											
RE702ZZ	BHJ-25-C	25 C/E	17	7	20.4	25	8	1	35	3.3	1.36
RE702.2RS											
RE703ZZ	BHJ-34-C	34 C/E	40	9	27.17	34	10	1	35	6.04	2.68
RE703.2RS											
RE704ZZ	BHJ-54-C	54 C/E	80	14	42	54	14	1.5	35	9.5	4.8
RE704.2RS											
RE901ZZ			3	4	9.63	12.7	4	0.35	45	0.71	0.27
RE901.2RS											
RE902ZZ			17	7	20.4	25	8	1	45	3.3	1.36
RE902.2RS											
RE903ZZ			40	9	27.17	34	10	1	45	6.04	2.68
RE903.2RS											
RE807.2RS			12	6	18.5	22	7	0.5	40	2.2	0.9

LV BEARING

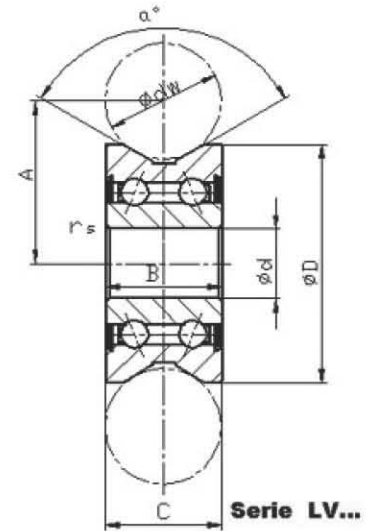
Track rollers with "V" groove profile - V groove Bearings

1 Series LV bearings can be widely used in the cylindrical track or "V" profile track with an angle of 120 degrees. Different from the series LFR bearings, series LV bearings are more adaptable to the different track sizes. Each type can be applied with a larger range of track diameters. They are widely used for the heavy-duty track, mobile equipment, wire straightening machine and so on.

2 Bearings take the internal structure design of double row angular contact ball bearings and have a thick-walled outer ring, so the bearings can accommodate higher loads.

3 Bearings are made of the high-quality bearing steel, processed by heat treatment and precision grind, and are filled with a long service life, high-grade and multi-purposes grease. Bearings take the metal shield to prevent the dust.

4 The bearings have an undercut on its bottom of groove on the outer ring. If the application disallow this undercut, BOOS BEARING can meet customer's technical requirement. Also BOOS BEARING can accept the bearings with various angle of "V" profile.



Characteristics of the guide system that series LV bearings are applied :

1. Low resistance, long service life, widely-uses

The roughness of the "V" profile surface can be reached to Ra0.32 processed by precision grind. The bearings have well parallelism between the "V" profile groove and the mount planes of inner ring relatively. When bearings working, the stresses between the bearing and cylindrical track is in equality and the friction resistance is low.

2. Easy installation

After bearing assembled the concentric or eccentric pivot, installation will be convenient. To adjust the eccentric one's eccentricity, the bearing can get the fitting preload



Track Roller No.	Weight	Dimensions (mm)								Load Ratings	
		dw	d	D	b	C	A	α	rs	Cw (KN)	Cow(KN)
BOOS BEARING	(g)										
LV 20/7 ZZ	17	10	7	22	11	11	14.5	120	0.3	3.78	2.05
LV 20/8 ZZ	49	10	8	30	14	14	18.1	120	0.3	5.13	2.67
LV 202-38 ZZ	87	10	15	38	17	17	22.25	120	0.5	8.47	5.37
LV 202-40 ZZ	110	10	15	40	18	18	22	120	0.5	8.47	5.37
LV 201 ZZ	130	20	12	41	20	20	28	120	0.3	8.47	5.37
LV 201-14 ZZ	107	14	12	39.9	20.1	18	24	100	0.5	8.9	5
LV 202-41 ZZ	116	20	15	41	20	20	28	120	0.5	8.47	5.37
LV 203 ZZ	325	20	17	58	25	25	35	120	0.5	14.66	9.1
LV 204-57 ZZ	290	30	20	57	22	22	41	120	0.6	14.66	9.1
LV 204-58 ZZ	310	30	20	58	25	25	41	120	0.6	14.66	9.1

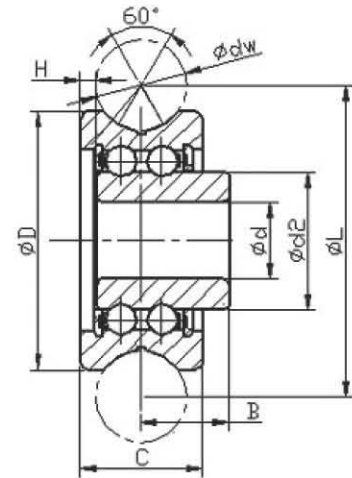
Track rollers with Gothic arch groove - type SG

1 Series SG rollers are the most widely-use and economy product among the linear motion track rollers, and they can suit to the cylindrical track.

2 There are two contact points between the roller and track, so the contact function is favorable.

3 Rollers feature double row angular contact ball bearing in its internal structure design and a thick-walled outer ring, so rollers can accommodate higher loads.

4 Rollers are made of high-quality bearing steel, processed by heat treatment and precision grind, and are filled with a long service life, high-grade and multi-purposes grease. BOOS BEARING also can provide the rollers with concentric or eccentric pivot. Some types of the rollers can be made from the corrosion resistance stainless steel.



Track Roller No.	Weight	Dimensions (mm)								Load Ratings		
		dw	d	D	C	B	L	d2	H	Cw (KN)	Cow (KN)	Fr perm (KN)
BOOS BEARINGS	≈(g)											
SG15	3.5	5	4	13	6	3.5	16.08	5.9		1.05	0.85	1.3
SG15	8	6	5	17	8	5.75	20.46	8.6	1	1.27	0.82	1.3
SG20	25	8	6	24	11	7.25	28.62	11.1	1.2	3.4	1.7	1.3
SG25	49	10	8	30	14	8.5	35.77	13	1.5	3.67	2.28	1.3
SG35	136	12	12	42	19	12.5	48.93	18	1.5	8.5	5.1	5.1

EMBROIDERY MACHINE BEARING



V DOUBLE TYPE BEARING

Specifications	Dimensions (mm)
V double bearing	ø5*18*7.8
V double bearing	ø6*18*7.8
V double bearing	F128,ø8*18.76
V double bearing	F126,ø6*18*8



V SINGLE BEARING

Specifications	Dimensions (mm)
V single bearing	ø5*17.6*7.5
V single bearing	ø6*17.6*7.5
V single bearing	ø8*17.6*7.5



6003 BEARING

Specifications	Dimensions (mm)
6003	ø15*35*19
60/18	ø18*37*18
60/22	22*44*12



JIAYU SLIDER BEARING



CAM FOLLOWERS BEARING



6003 WITH BUSH BEARING



6004 WITH BUSH BEARING



SHAFT



DCAM FOLLOWERS BEARING



V SINGLE TYPE BEARING

EMBROIDERY MACHINE BEARING



SG15 BEARING



SG15 WITH SHAFT BEARING



SG35 BEARING



SG25 BEARING



SGTYPE



SGTYPE BEARING

CONVEYOR BEARING



NON-STANDARD



PLASTIC BEARING



OFFICE



PRODUCTION EQUIPMENT

QUALITY IS THE LIFE
ENTERPRISE IS A GUARANTEE
OF CREDIBILITY





TESTING EQUIPMENT

CONSUMMATE TECHNIQUES AND
RIGOROUS DETAILS

